

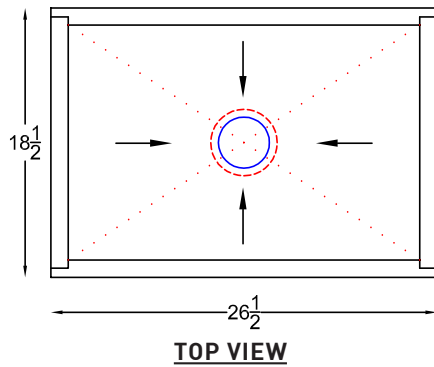
# GRANIT DESIGN COLLECTION

BOSTON WILLIAM

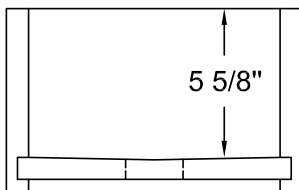


## General Information

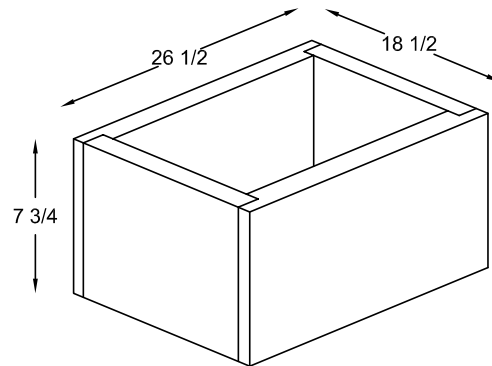
- All of our custom-made sinks are assembled using a tongue & groove technique
- Our collection comes with a Lifetime Guarantee against leaks
- We offer single, double, or triple bowl models, which all use standard drain systems
- When technically possible, we offer to slant the bottom of the sink towards the drain for optimal water evacuation
- Drainboards are always a nice addition to think about
- Available in an undermount version



**TOP VIEW**



**SIDE VIEW**



**3D VIEW**

Suggested Dimensions :  
26 1/2 in x 18 1/2 in x 7 3/4 in